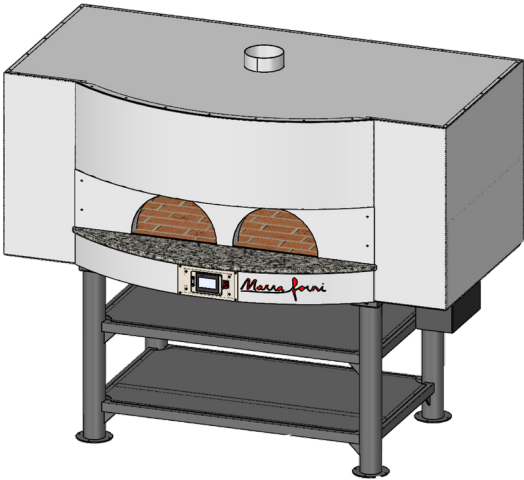


Square Oven 83-31 (GMS 83-31)

Overview



Our Square Oven 83-31 is designed specifically to accommodate the high-volume pizza making of a true Pizzaiolo. This model features a 31 inch wide by 83 inch deep deck. The dome and deck consist of refractory bricks with 4 inches of multi-layered insulation in the dome and 8 inches in the deck. The oven features two 18.5 inch by 9.5 inch opening along with a stainless steel flue collar atop the dome. A round flue adapter comes standard on all ovens.

The oven requires a 2 inch tolerance in all directions, and comes standard with a fire-rated tile clay dome. The Square model also features a 12 inch landing on the opening, as well as a control located between the deck and the top of the dome for getting a precise reading. Oven can be vented directly to the roof or vented through a powered type 1 exhaust hood with approved grease rated duct in accordance with all local and national codes. For wood burning ovens, they must be vented as a solid fuel burning appliance and must be installed following a manner that obeys all local and national codes and is acceptable to authority having jurisdiction.

Pizza Capacity

Cooking Surface = sq. ft.
Pizza Capacity 8" = 19
Pizza Capacity 10" = 13
Pizza Capacity 12" = 9
Pizza Capacity 16" = 4-5

Gas Requirements

Gas connections 3/4" NPT per burner, quick disconnect flex gas hose recommended.
Pressure required 10" - 14" W.C. (Water Column) at the gas valve.
84,000 BTU's per burner.

Electric Requirements

120V/ Single Phase / 12 Amps
9 ft. power cable integrated.

Venting

The oven is vented through an 8" round duct collar. The Neapolitan wood, gas, and combination gas-wood ovens can be installed with a listed exhaust hood system or with a chimney/grease duct vented outside without an exhaust hood, but must be installed with a power exhausted vent.
Cubic Feet per Minute: 150CFM
Static Pressure: 0.01" W.C.

Standard Features

Touch screen
Turbo Burner
Brick Deck
Door / Fire Suppressor
Stainless Steel Flue Collar/Adapter
Steel Stand
Powder Coating
2 Year Deck and Dome Warranty
1 Year Parts and Labor Warranty

Optional Functions

Stainless Steel Mask
Stainless Steel Stand
Gas Burning Accessories
Burner Position (Left/Right)
Custom Tile Applications
Exhaust Fan
All Fuel Grease Duct
Aluminum Oven Tools
Integrated Exhaust System

Clearance Requirements

2" Minimum clearance for Combustibles on all sides.
0" Minimum clearance for Non Combustibles.

Shipping Dimensions

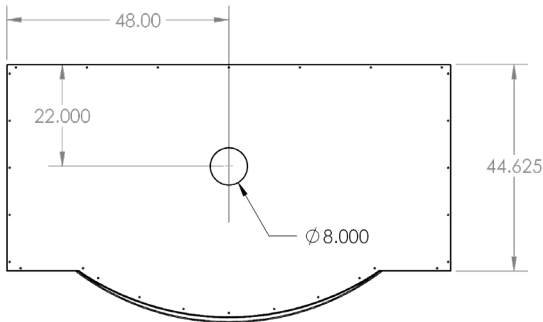
Actual Weight: LBS
Crate Weight: LBS
Crate Width:
Crate Depth:
Crate Height:

Certified

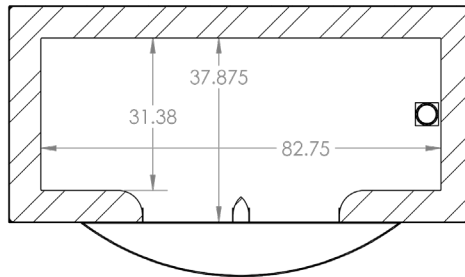


Square Oven 83-31 (GMS 83-31)

Top View



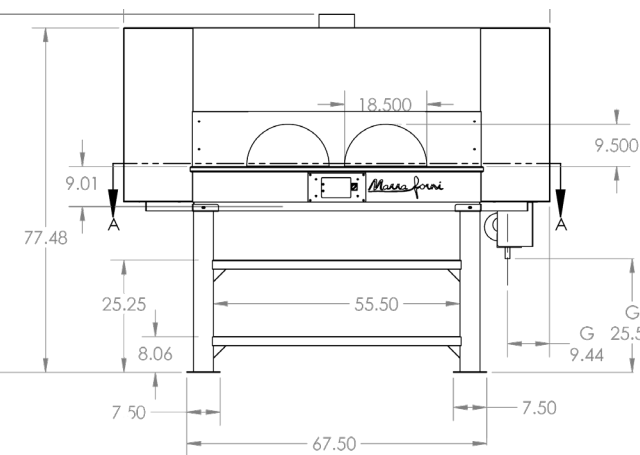
Plan View



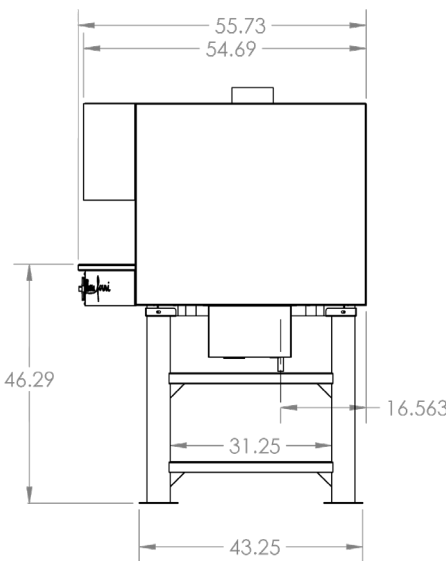
Legend

- C**-Controls
- E**-Electrical Connection Flexible Cord
- F**-Flue Collar
- G**-Gas Connection
- S**-Storage Shelf

Front View



Side View



Notes

- An ongoing program of product improvement may require us to change specifications without notice.
- All ovens are designed to suit for both commercial and residential usage.
- Spec dimensions to be +/- 0.50 inch.
- Oven sizes refer to dome interior size.
- All Marra Forni ovens are ETL, and VPN approved.
- All oven Freight Class 77.5 and must be shipped LTL.
- All Marra Forni ovens are approved with a door that is used as a fire suppressor. The door completely closes the front cavity of the oven. Sprinkler/ ansul systems not required.
- Learn about gas, electrical, venting and clearance requirements at MARRAFORNI.COM

