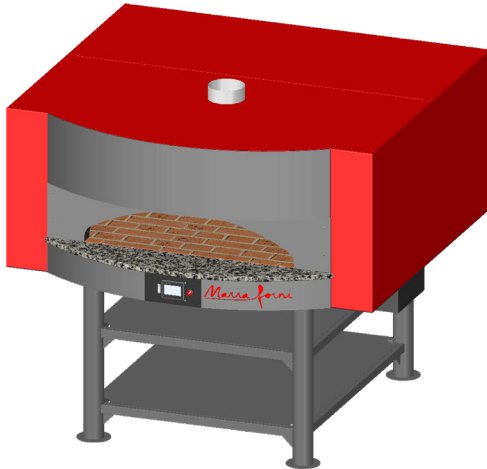


## Square Oven 71-59 (GMS 71-59)

### Overview



Our Square Oven 71-59 is designed specifically to accommodate the high-volume pizza making of a true Pizzaiolo. This model features a 59 inch wide by 71 inch deep deck. The dome and deck consist of refractory bricks with 4 inches of multi-layered insulation in the dome and 8 inches in the deck. The oven features a 48 inch by 9.5 inch opening along with a stainless steel flue collar atop the dome. A round flue adapter comes standard on all ovens.

The oven requires a 2 inch tolerance in all directions, and comes standard with a fire-rated tile clay dome. The Square model also features a 12 inch landing on the opening, as well as a control located between the deck and the top of the dome for getting a precise reading. Oven can be vented directly to the roof or vented through a powered type 1 exhaust hood with approved grease rated duct in accordance with all local and national codes. For wood burning ovens, they must be vented as a solid fuel burning appliance and must be installed following a manner that obeys all local and national codes and is acceptable to authority having jurisdiction.

### Pizza Capacity

Cooking Surface = sq. ft.  
 Pizza Capacity 8" = 18  
 Pizza Capacity 10" = 12  
 Pizza Capacity 12" = 8  
 Pizza Capacity 16" = 6

### Gas Requirements

Gas connections 3/4" NPT per burner, quick disconnect flex gas hose recommended.  
 Pressure required 10" - 14" W.C. (Water Column) at the gas valve.  
 84,000 BTU's per burner.

### Electric Requirements

120V/ Single Phase / 12 Amps  
 9 ft. power cable integrated.

### Venting

The oven is vented through an 8" round duct collar. The Neapolitan wood, gas, and combination gas-wood ovens can be installed with a listed exhaust hood system or with a chimney/grease duct vented outside without an exhaust hood, but must be installed with a power exhausted vent.  
 Cubic Feet per Minute: 150CFM  
 Static Pressure: 0.01" W.C.

### Standard Features

Touch screen  
 Turbo Burner  
 Brick Deck  
 Door / Fire Suppressor  
 Stainless Steel Flue Collar/Adapter  
 Steel Stand  
 Powder Coating  
 2 Year Deck and Dome Warranty  
 1 Year Parts and Labor Warranty

### Optional Functions

Stainless Steel Mask  
 Stainless Steel Stand  
 Gas Burning Accessories  
 Burner Position (Left/Right)  
 Custom Tile Applications  
 Exhaust Fan  
 All Fuel Grease Duct  
 Aluminum Oven Tools  
 Integrated Exhaust System

### Clearance Requirements

2" Minimum clearance for Combustibles on all sides.  
 0" Minimum clearance for Non Combustibles.

### Shipping Dimensions

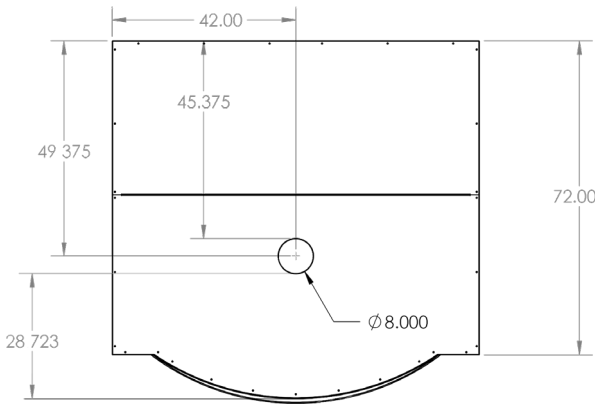
Actual Weight: LBS  
 Crate Weight: LBS  
 Crate Width:  
 Crate Depth:  
 Crate Height:

### Certified

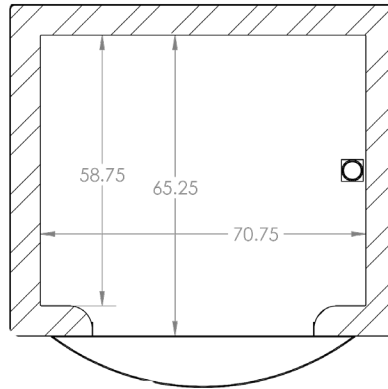


## Square Oven 71-59 (GMS 71-59)

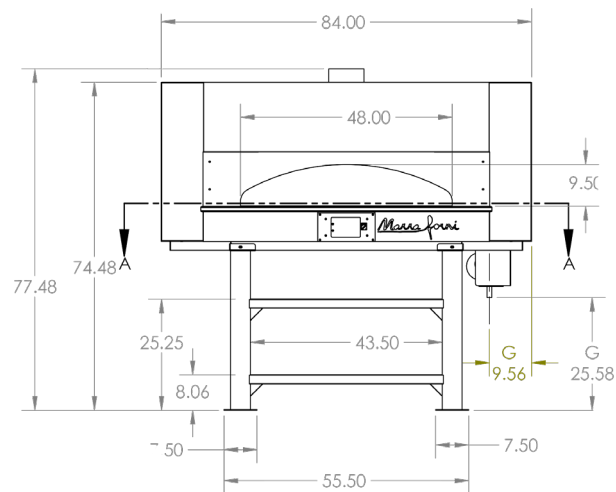
Top View



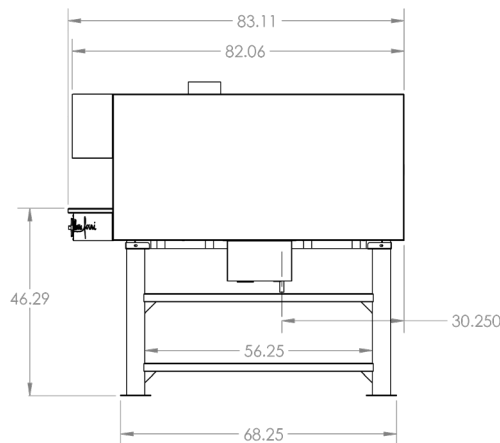
Plan View



Front View



Side View



Legend

- C**-Controls
- E**-Electrical Connection Flexible Cord
- F**-Flue Collar
- G**-Gas Connection
- S**-Storage Shelf

Notes

An ongoing program of product improvement may require us to change specifications without notice.

All ovens are designed to suit for both commercial and residential usage.

Spec dimensions to be +/- 0.50 inch.

Oven sizes refer to dome interior size.

All Marra Forni ovens are ETL, and VPN approved.

All oven Freight Class 77.5 and must be shipped LTL.

All Marra Forni ovens are approved with a door that is used as a fire suppressor. The door completely closes the front cavity of the oven. Sprinkler/ansul systems not required.

Learn about gas, electrical, venting and clearance requirements at [MARRAFORNI.COM](http://MARRAFORNI.COM)

