

# DCM-270BAH-OS

Item # \_\_\_\_\_

Project: \_\_\_\_\_

Qty: \_\_\_\_\_

\*AutoCad available on KCL

## OPTI-SERVE SERIES

### SANITARY CUBELET ICE MACHINE/DISPENSER

DCM-270BAH-OS

03/23/16

Item #13159

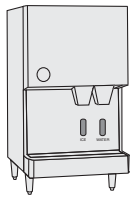
#### DIMENSIONS W x D x H

#### DCM-270BAH-OS

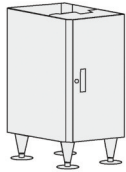
16<sup>9/16</sup> x 24<sup>1/8</sup> x 31<sup>11/16</sup>\*  
\*with 4" legs

#### SD-270

16<sup>1/2</sup> x 24 x 35<sup>3/16</sup>



DCM-270



SD-270  
optional  
stand

### DCM-270BAH-OS


Air-Cooled  
Shown on an optional  
**SD-270 Stand**



\*Hands-free sensor designed for use with opaque containers. Not intended for outdoor use - avoid placement in direct sunlight.

SD-270 door is reversible.

#### DCM-270BAH-OS

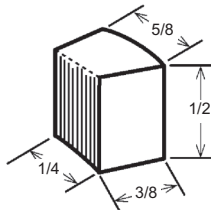
- Advanced CleanCycle24™ - performs a 2 second rinse every hour
- LED Remote sensor for hands-free operation
- Sealed LED housing prevents moisture from entering, eliminating the possibility of an electrical short
- Durable stainless steel exterior
- Up to 288 lbs. of ice production per 24 hours with 10 lbs.\* built in storage
- Easy to chew, cubelet ice
- Self contained design reducing opportunities for cross contamination
- Dispenses ice and water
- Removable air filter
- Stainless steel internal auger
- R-404A Refrigerant
- Protected by H-GUARD Plus Antimicrobial Agent 



#### SD-270 Stand

- Heavy duty stand for floor model icemaker/dispenser
- Corrosion resistant stainless steel exterior
- Easy cleaning with attractive appearance
- Locking, reversible door

#### \*CUBELET DIMENSIONS



\*approximate size in inches, image not to scale



ISO9001-ISO14001

#### Warranty

Valid in United States, Canada, Puerto Rico, & U.S. Territories. Contact factory for warranty in other countries.

**Three Year** - Parts & Labor on entire machine. (Serial numbers VxxxxxJ and after.)

**Five Year** - Parts on: hermetic compressor, air-cooled fin and tube type condenser.

\* Rated in accordance with AHRI Standard 820 (I-P)

© HOSHIZAKI AMERICA, INC.

618 Hwy. 74 S., Peachtree City, GA 30269

TEL 1-800-438-6087

FAX 1-800-345-1325

www.hoshizaki.com



# DCM-270BAH-OS SANITARY CUBELET ICE MACHINE/DISPENSER OPTI-SERVE SERIES

## DIMENSIONS W x D x H

**DCM-270BAH-OS**  
16<sup>9/16</sup> x 24<sup>3/16</sup> x 31<sup>7/8</sup>  
\*with 4" legs  
**SD-270**  
16<sup>1/2</sup> x 24 x 35<sup>3/16</sup>

- Hands-free ice and water dispenser
- Optional stand with locking door

## AIR-COOLED

Water Temp ° F.	50°	70°	90°	
Air Temp ° F.	70°	288	276	265
80°	254	243	233	
90°	224	220	205	

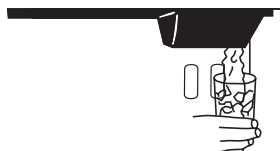
## UTILITY CONSUMPTION

Model Number	KWH per 100 LBS.		GAL per 100 LBS.	
	90/70	70/50	90/70	70/50
DCM-270BAH-OS	7.3	5.3	12.0	12.0

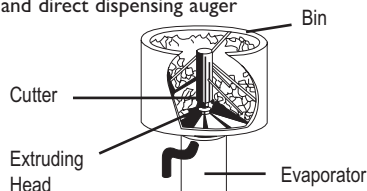
## SPECIFICATIONS

Model Number	Condenser	Amperage	Shipping Weight
DCM-270BAH-OS	Air-Cooled	8.5	166 lbs.
SD-270	N/A	N/A	89 lbs.

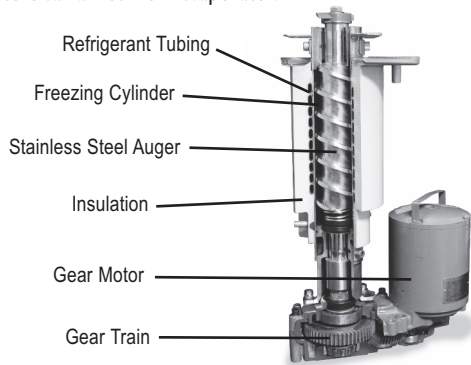
- Separate ICE and WATER Dispensing
- LED Remote Sensor for hands-free operation.



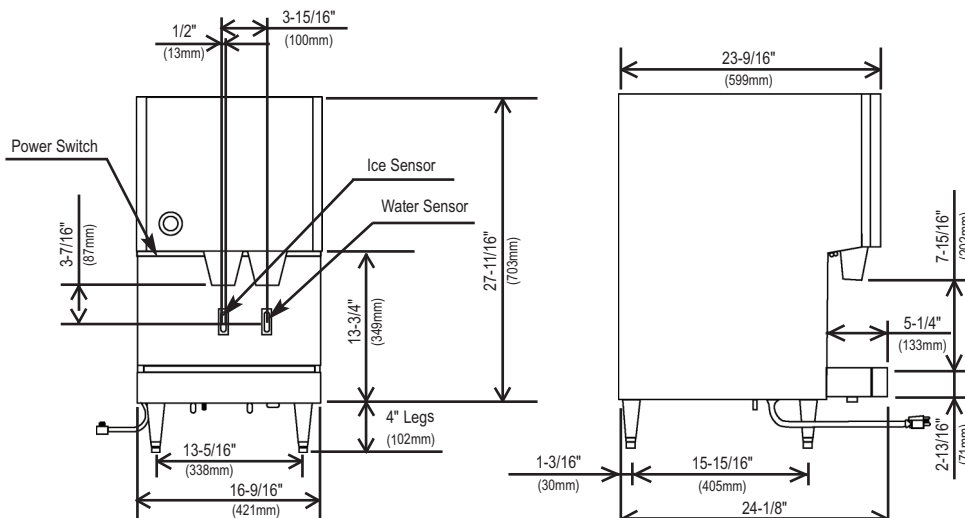
Flaked ice compacted into cubelets by extruding head cutter and stored in an insulated bin with continuous agitation during dispensing and direct dispensing auger



- Circuit breaker or fuse protects gear motor from overload.
- Gear motor runs one minute after termination of ice making to clear all ice from evaporator.

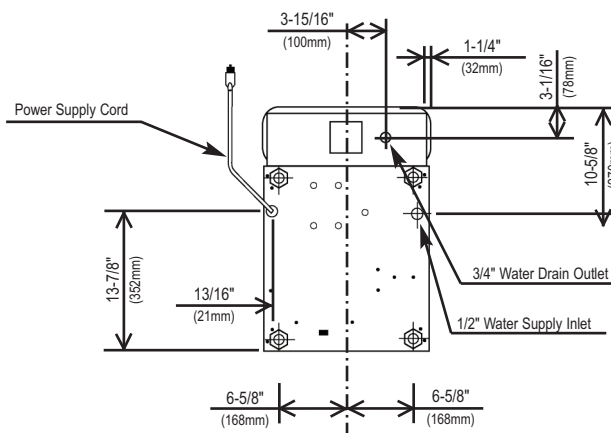


EVAPORATOR

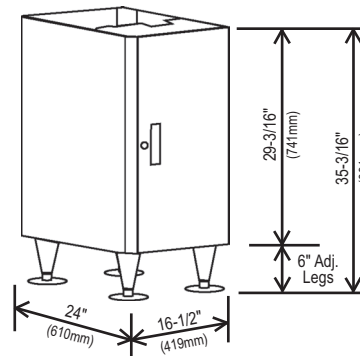


FRONT VIEW

SIDE VIEW



BOTTOM VIEW



SD-270

## ELECTRICAL/PLUMBING/DCM-270BAH

- 115V/60/1
- 15 amp cord connection
- Icemaker Water Supply Line: Minimum 1/4" Nominal ID Copper Water Tubing or Equivalent
- Icemaker Drain Line: Minimum 3/4" Nominal ID Hard Pipe or Equivalent



© HOSHIZAKI AMERICA, INC.

618 Hwy. 74 S., Peachtree City, GA 30269

## OPERATING LIMITS

- Ambient Temp Range 45 - 100°F
- Water Temp Range 45 - 90°F
- Water Pressure 10 - 113psig
- Voltage Range 104 - 127V

## SERVICE

- Panels easily removed and all components accessible for service.
- Removable/cleanable air filter.

TEL 1-800-438-6087

FAX 1-800-345-1325

www.hoshizaki.com

Printed in U.S.A.

