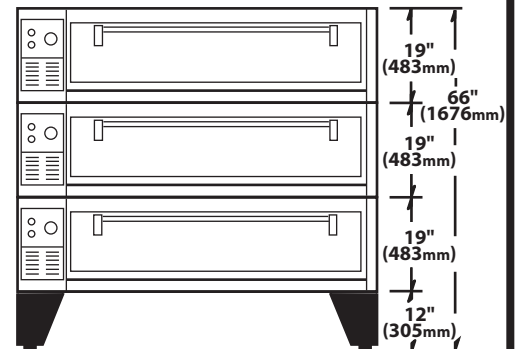
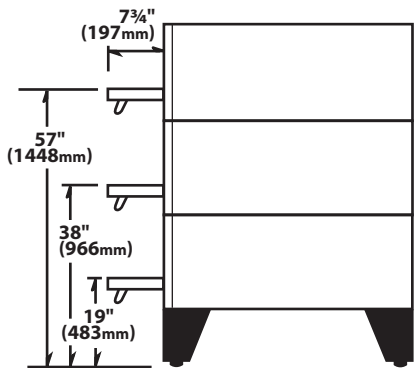
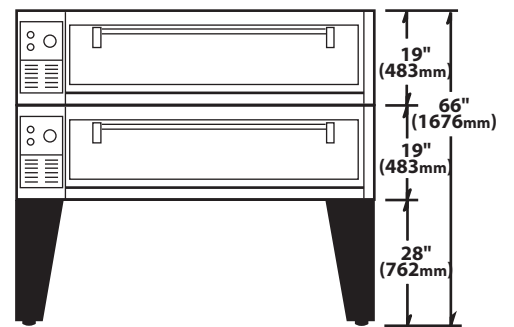
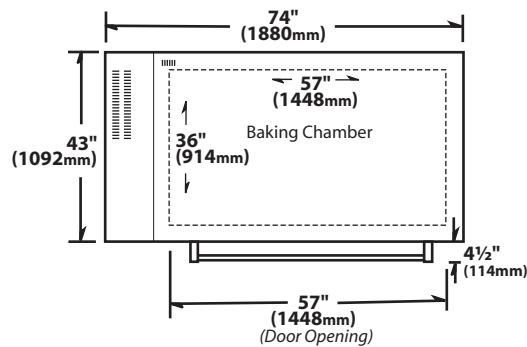
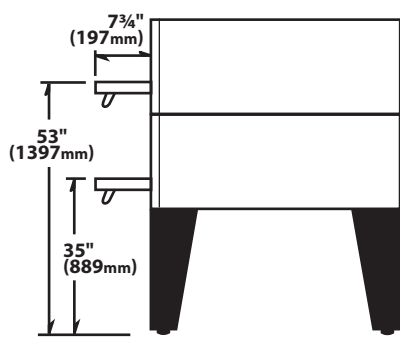
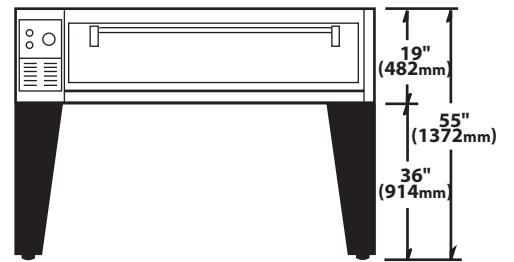
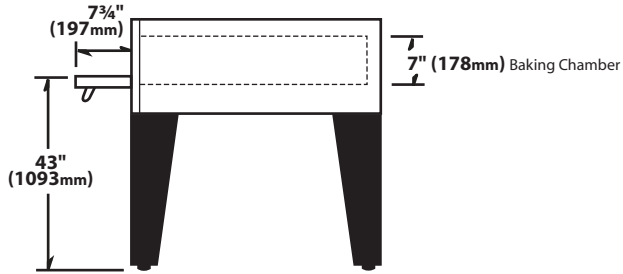




EDO Electric Series Pizza Ovens Specifications

Model No. EDO57

Phone: (631) 226-6688
FAX: (631) 226-6890



specifications

	EDO 57 Single	EDO 57 Double	EDO 57 Triple
Height	55"	66"	69"
	1397 mm	1676 mm	1757 mm
Depth x Length	43" x 74"	43" x 74"	43" x 74"
	1092 mm x 1880 mm	1092 mm x 1880 mm	1092 mm x 1880 mm
Cooking Surface	36" x 57"	36" x 57" x 2	36" x 57" x 3
	914 mm x 1448 mm	914 mm x 1448 mm	914 mm x 1448 mm
# of Decks	1	2	3
Shipping Weight	760 lbs.	1,500 lbs.	2,250 lbs.

	Power Supply: All Models			
WATTS	12,000	12,000	12,000	12,000
VOLTAGE	208	220-240	208	220-240
PHASE	3	3	1	1
AMPS	33	30	58	52